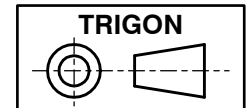
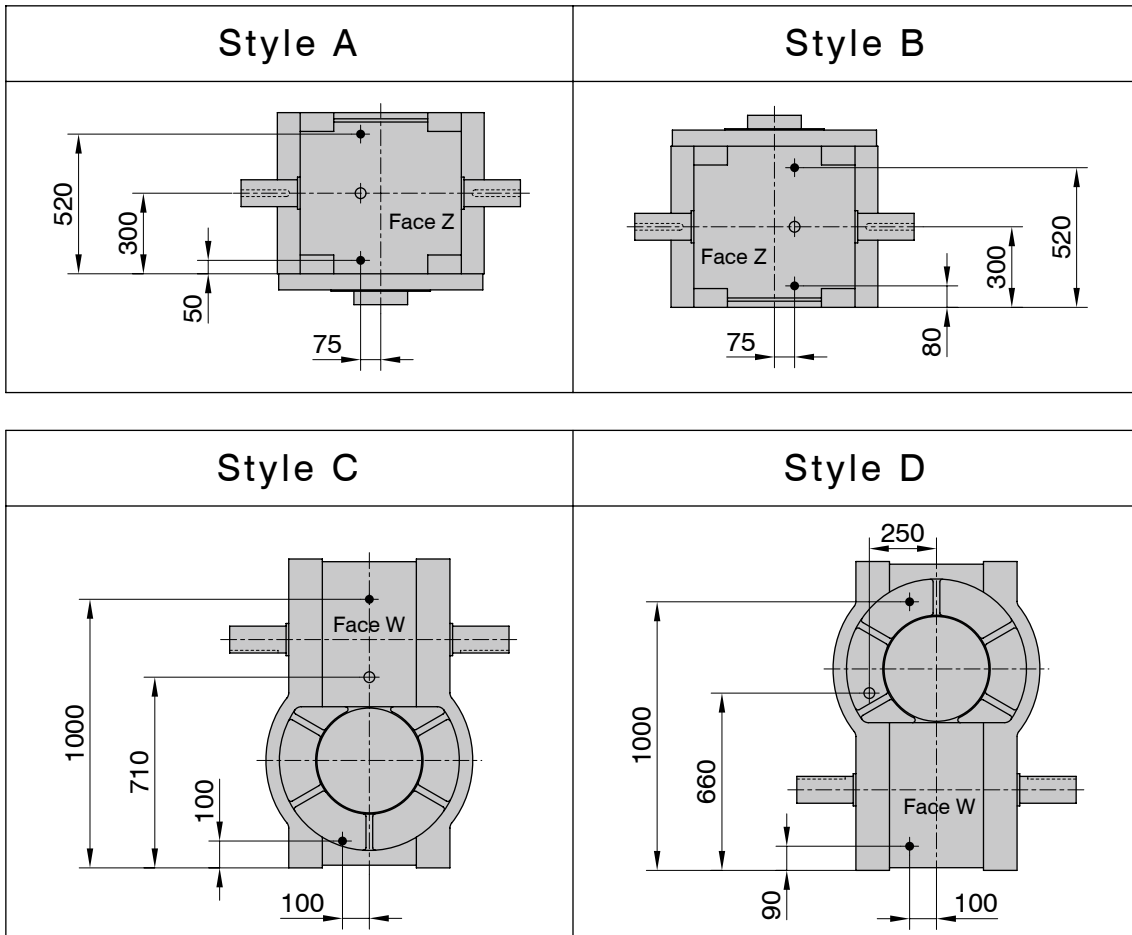


The keyway position of the input shaft in the drawing suggests the center of dwell period.

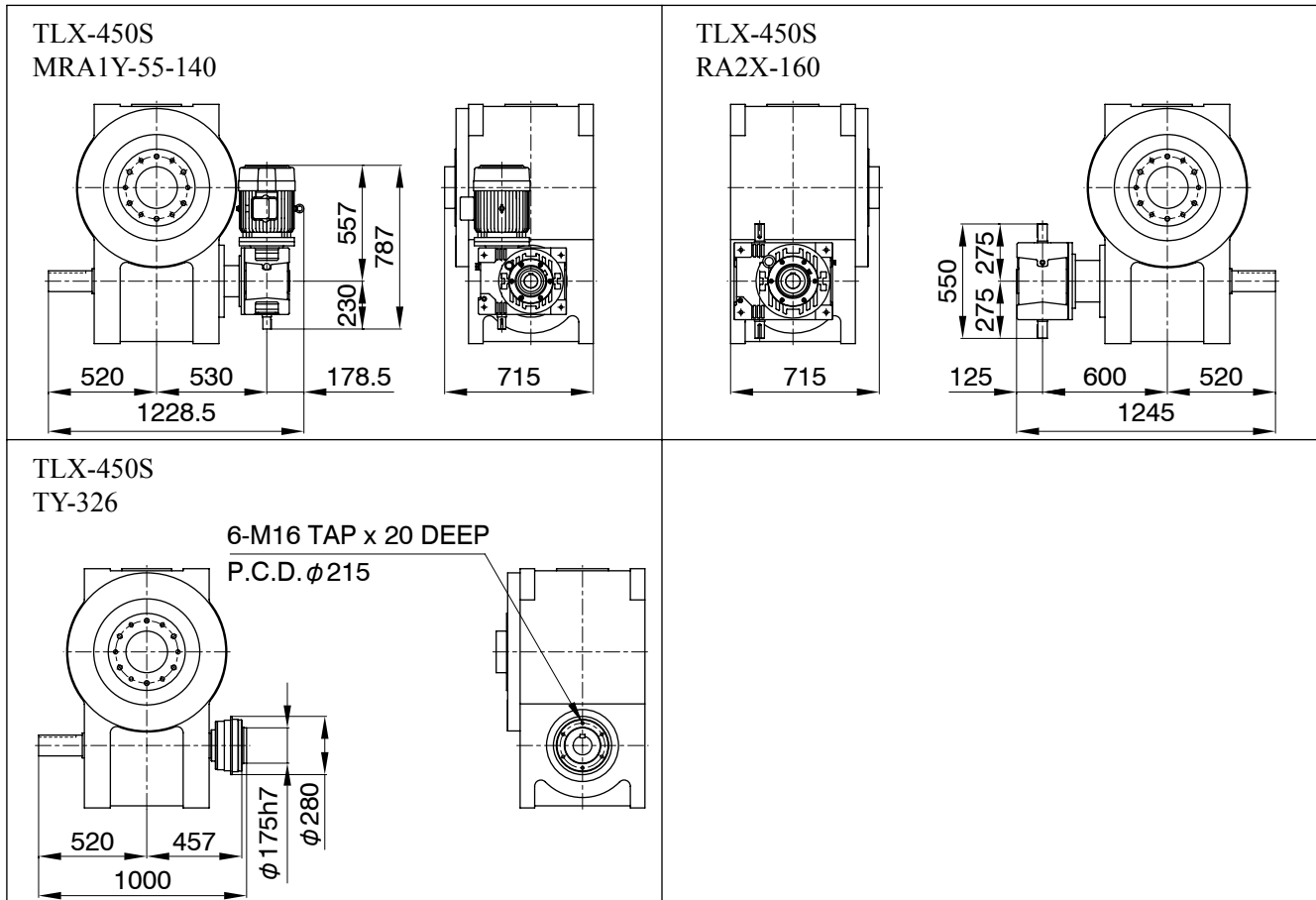




Additional Information	
Filler, Drain (black circle)	Rc1
Level (white circle)	Φ40
Rough Product Weight	980kg
Rough Lubricating Oil Capacity	80.0 Liters
Mounting Tapped Holes	Machining the specified faces upon request

TLX-450S

Mounting Examples of Optional Parts



Additional Notes

- MA series worm reducer MAO125, 140 and 160 can be mounted.
- Mounting positions of a drive unit is standardized as 16 different pattern.
- MYTORQ torque limiter 300 series can be mounted. Please contact us if a MYTORQ torque limiter is required to mount on the output shaft.
- Autoflex couplings can be mounted.
- Autogard torquelimiter 400 series or Autoflex couplings can be mounted on the input shafts of a worm reducer.
- The hollow shaft can be specified as a special. (Max. hollow dia. $\phi 150$)