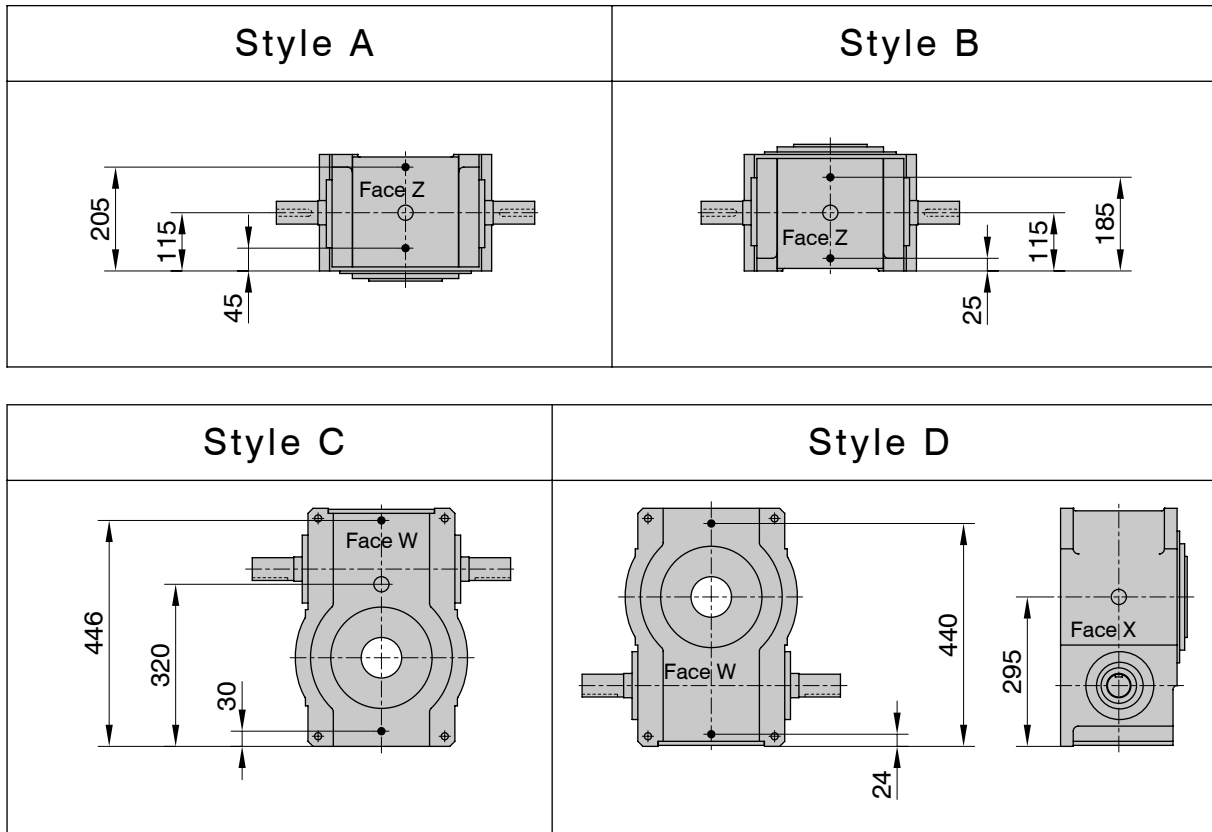




# TLX-175F

## Style by Oil Plug Machining Position

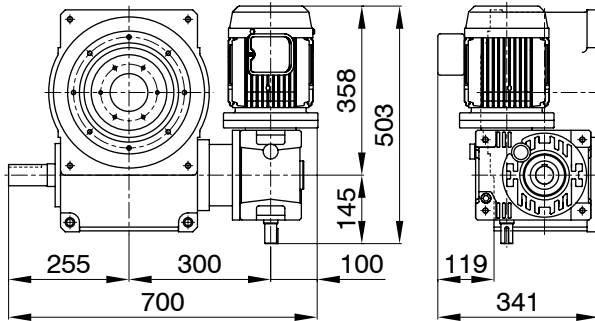


Additional Information	
Filler, Drain (black circle)	Rc3/8
Level (white circle)	Φ30
Rough Product Weight	110kg
Rough Lubricating Oil Capacity	9.0 Liters
Mounting Tapped Holes	Machined at Face U, W

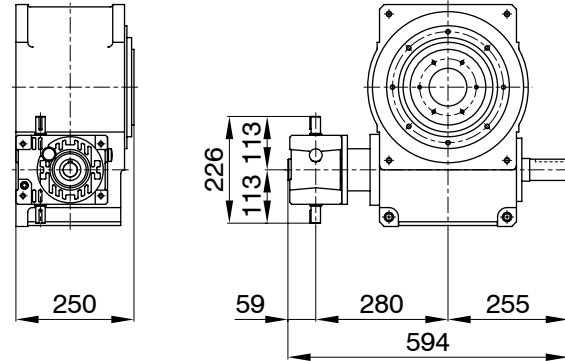
# TLX-175F

## Mounting Examples of Optional Parts

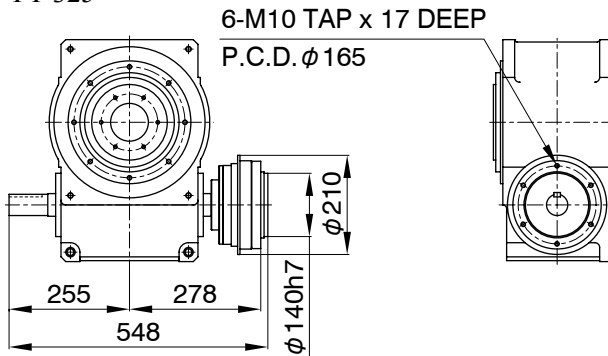
TLX-175F  
MRA1Y-15-80



TLX-175F  
RA2X-63



TLX-175F  
TY-325



### Additional Notes

- MA series worm reducer MAO63, 80 and 100 can be mounted.
- Mounting positions of a drive unit is standardized as 16 different pattern.
- MYTORQ torque limiter 830 can be mounted on the TLX output shaft and 300 series can be mounted on the input shaft.
- Autoflex couplings can be mounted.
- Autogard torque limiter 400 series or Autoflex couplings can be mounted on the input shafts of a worm reducer.