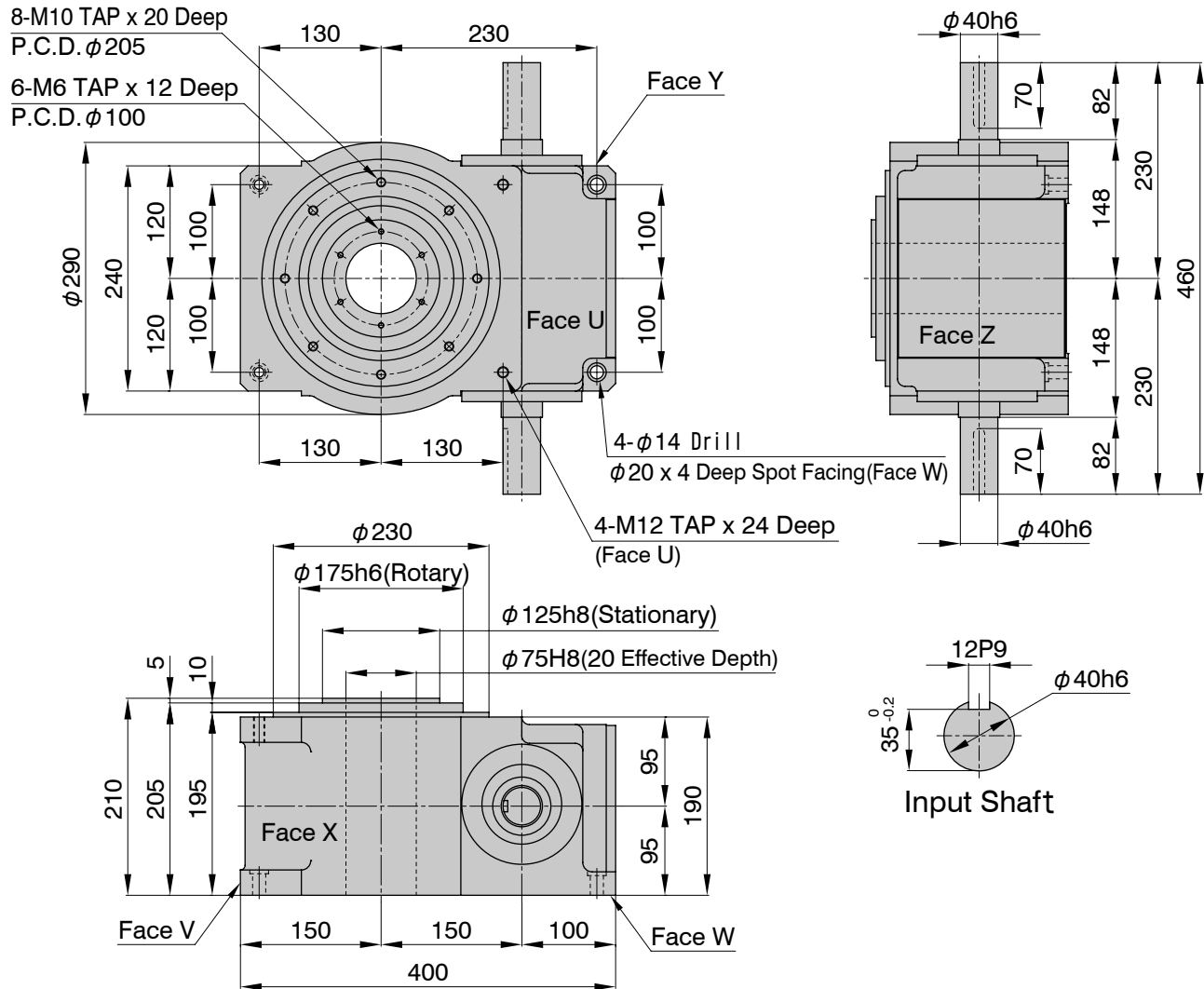
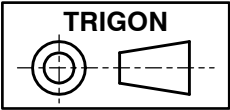


TLX-150F

Dimensions

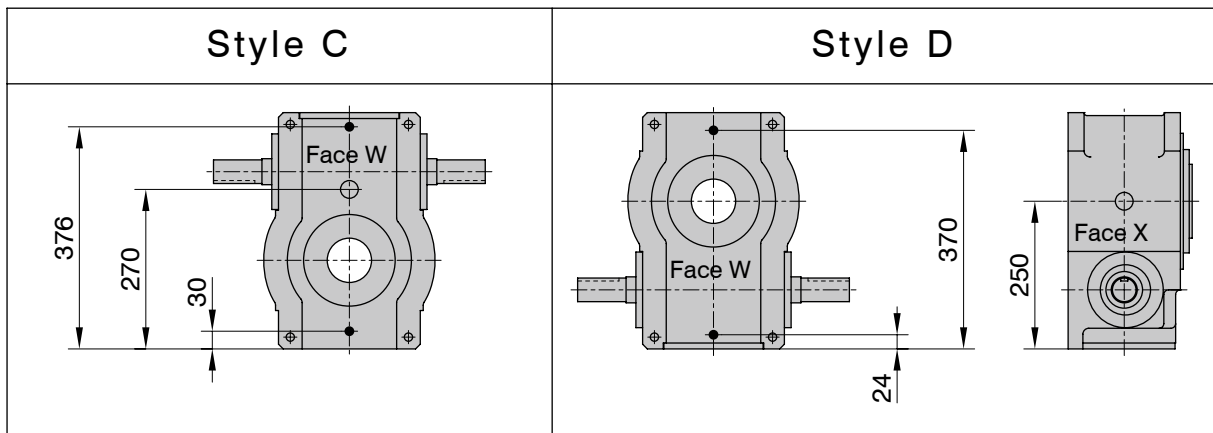
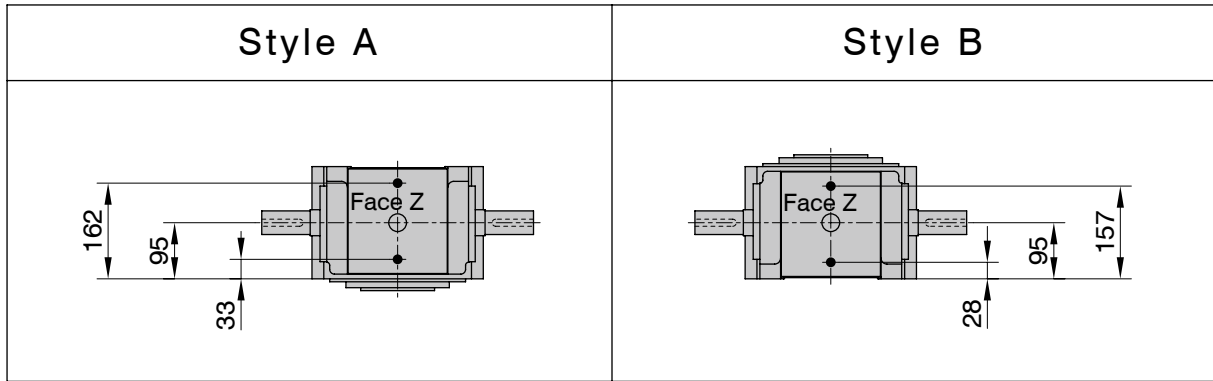


The keyway position of the input shaft in the drawing suggests the center of dwell period.



TLX-150F

Style by Oil Plug Machining Position

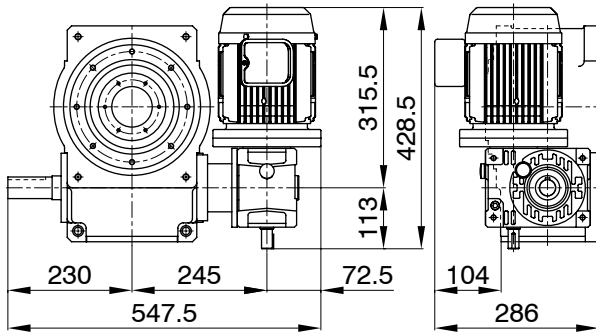


Additional Information	
Filler, Drain (black circle)	Rc3/8
Level (white circle)	Φ30
Rough Product Weight	62kg
Rough Lubricating Oil Capacity	7.0 Liters
Mounting Tapped Holes	Machined at Face U, W

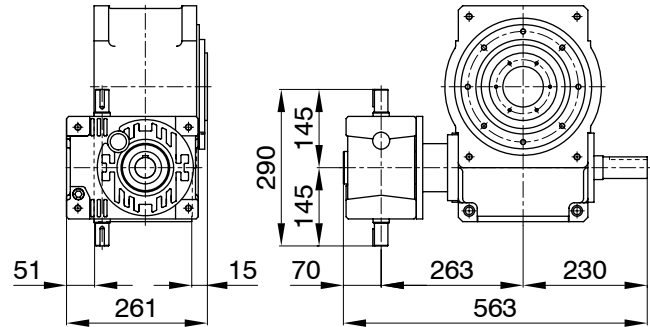
TLX-150F

Mounting Examples of Optional Parts

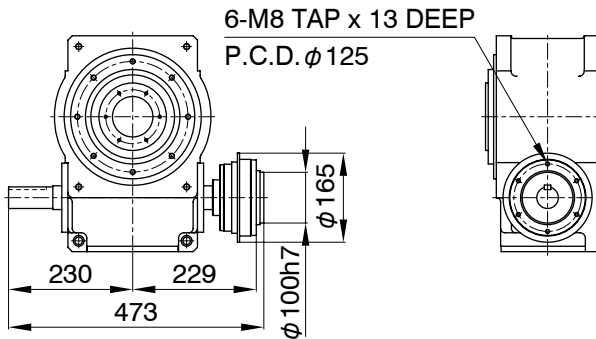
TLX-150F
MRA1Y-07-63



TLX-150F
RA2X-80



TLX-150F
TY-324



Additional Notes

- MA series worm reducer MAO50, 63 and 80 can be mounted.
- Mounting positions of a drive unit is standardized as 16 different pattern.
- MYTORQ torque limiter 830 can be mounted on the TLX output shaft and 300 series can be mounted on the input shaft.
- Autoflex couplings can be mounted.
- Autogard torquelimiter 400 series or Autoflex couplings can be mounted on the input shafts of a worm reducer.