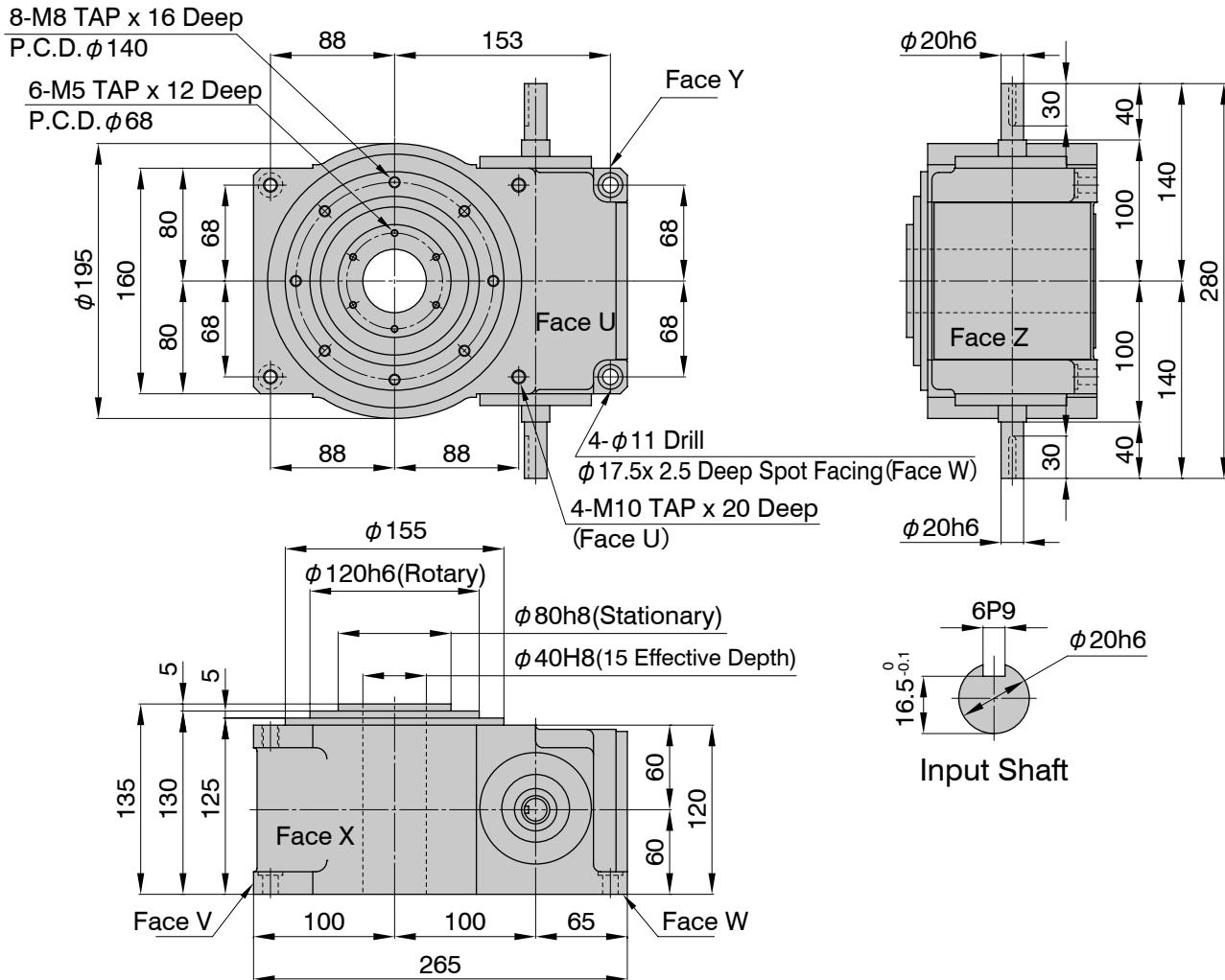
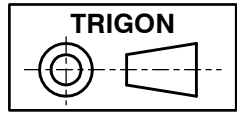


TLX-100F

Dimensions

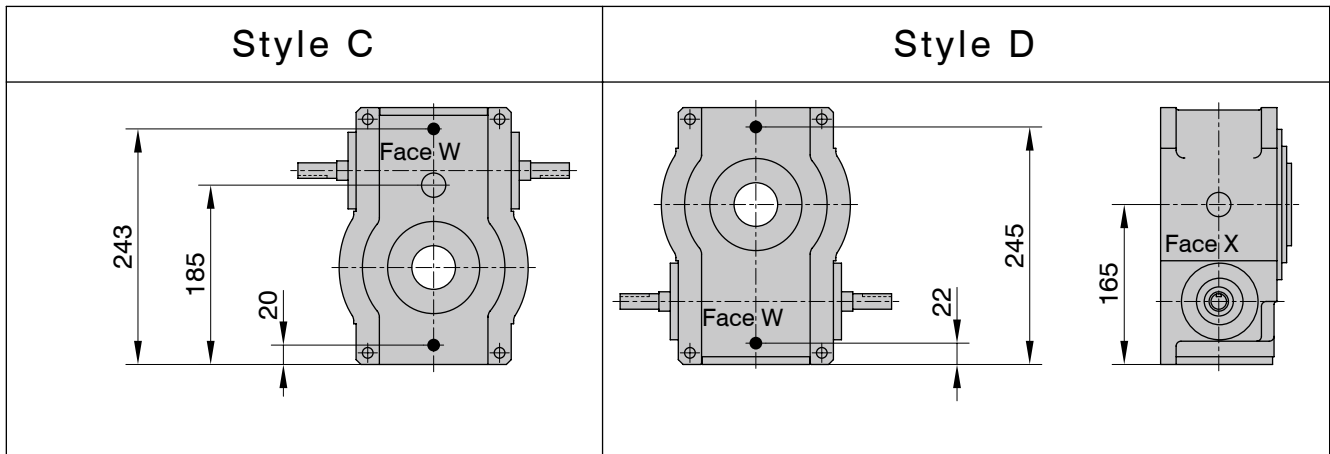
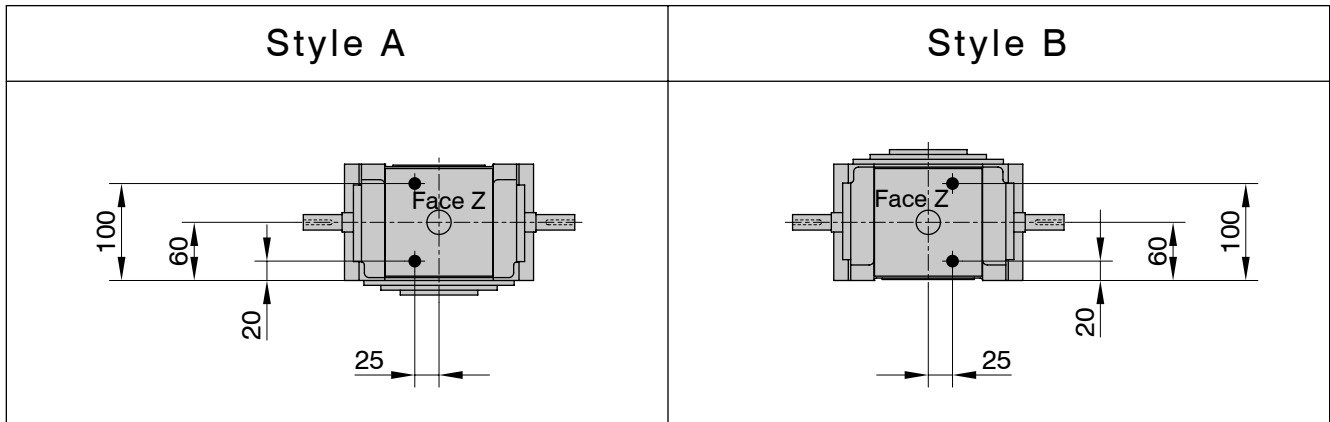


The keyway position of the input shaft in the drawing suggests the center of dwell period.



TLX-100F

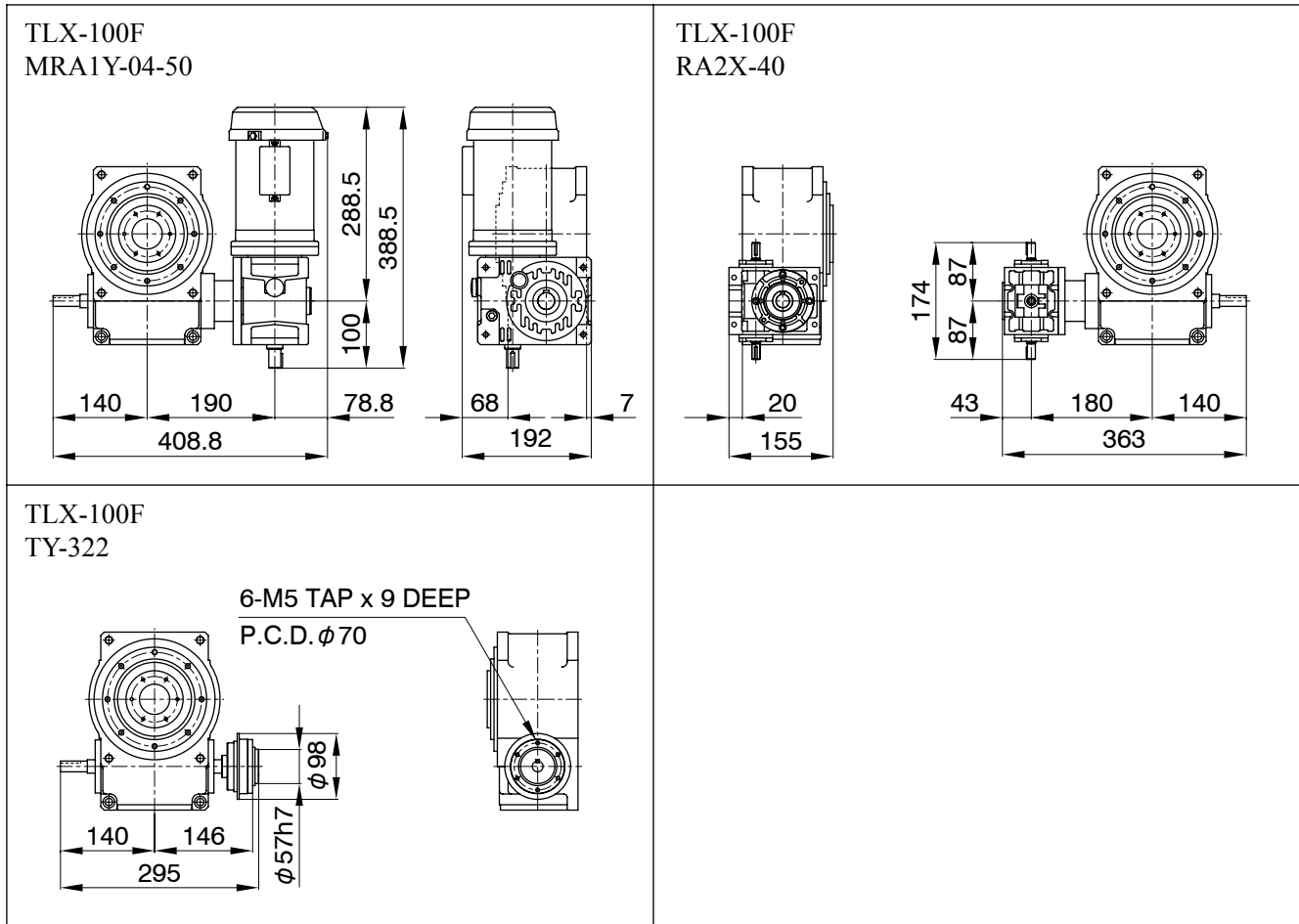
Style by Oil Plug Machining Position



Additional Information	
Filler, Drain (black circle)	Rc1/4
Level (white circle)	Φ25
Rough Product Weight	30kg
Rough Lubricating Oil Capacity	3.0 Liters
Mounting Tapped Holes	Machined at Face U, W

TLX-100F

Mounting Examples of Optional Parts



Additional Notes

- MA series worm reducer MAO40 and 50 can be mounted.
- Mounting positions of a drive unit is standardized as 16 different pattern.
- MYTORQ torque limiter 830 can be mounted on the TLX output shaft and 300 series can be mounted on the input shaft.
- Autoflex couplings can be mounted.
- Autogard torque limiter 400 series or Autoflex couplings can be mounted on the input shafts of a worm reducer.