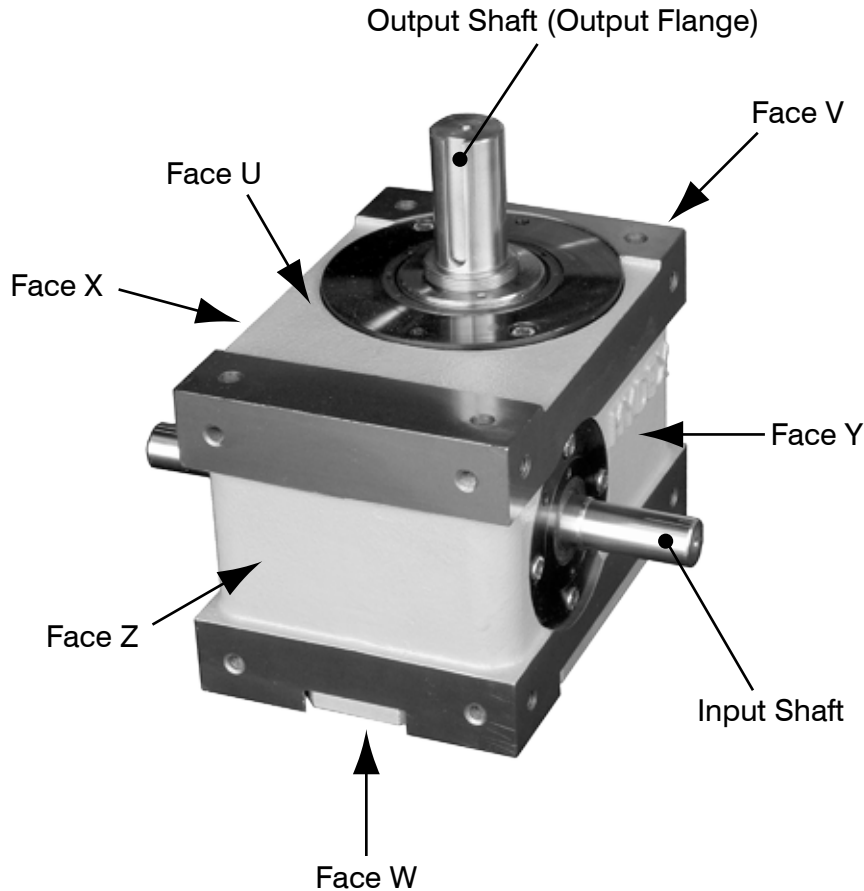


## Part Names



## Note

1. MS (Modified Sine) is standardized in all cam motion law (with few exceptions), but please instruct in advance or consult us if a specified cam motion law or special one is required.
2. Please instruct us only if TH cam and TD cam are required.
3. Please instruct in advance or consult us if you require the number of stops or an oscillating angle which is not described in the catalog.
4. Please specify in advance or consult us if you require an index angle or timing which is not described in the catalog.
5. The faces of mounting tapped holes are basically as follows.  
 Tapped holes on all faces: Only **RI/RO-32**  
 Tapped holes on specified faces: Except **RI/RO-40**