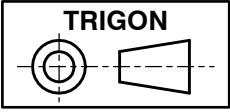
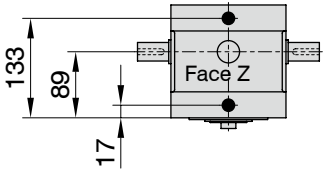
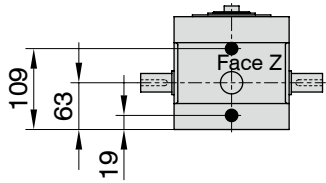
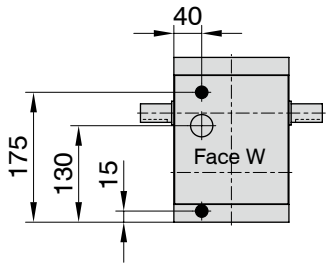
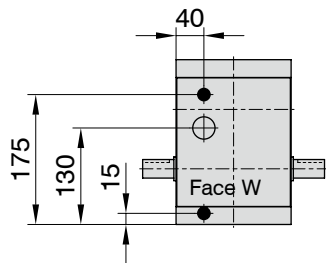
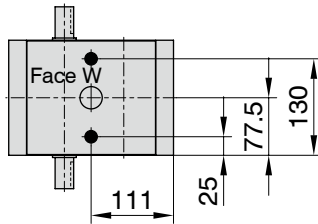
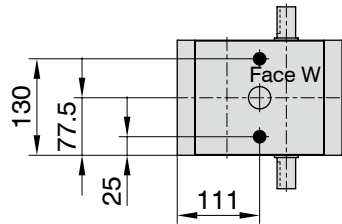


The keyway position of the input shaft in the drawing suggests the center of dwell period.



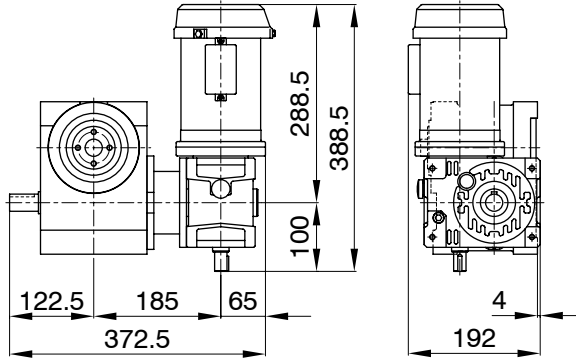
Style A	Style B	Style C
		
Style D	Style E	Style F
		

Additional Information	
Filler, Drain (black circle)	Rc3/8
Level (white circle)	$\Phi 30$
Rough Product Weight	23kg
Rough Lubricating Oil Capacity	1.3 Liters
Mounting Tapped Holes	Machining the specified faces upon request

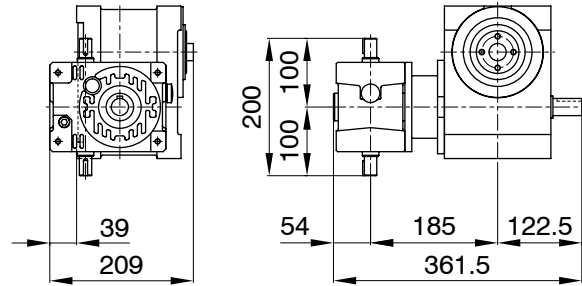
RI/RO-80F

Mounting Examples of Optional Parts

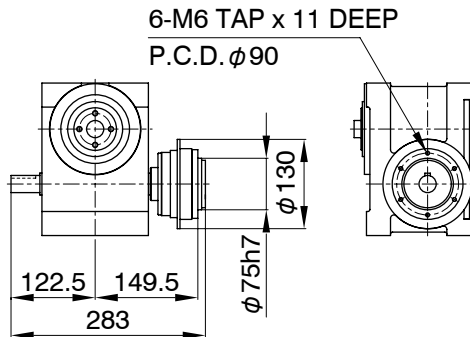
RI-80F
MRA1Y-04-50



RI-80F
RA2X-50



RI-80F
TY-323



Additional Notes

- MA series worm reducer MAO50 can be mounted.
- Mounting positions of a drive unit is standardized as 16 different pattern.
- MYTORQ torque limiter 300 series can be mounted.
- Autoflex couplings can be mounted.
- Autogard torquelimiter 400 series or Autoflex couplings can be mounted on the input shafts of a worm reducer.