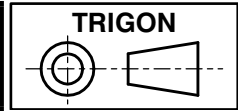


The keyway position of the input shaft in the drawing suggests the center of dwell period.



Additional Information	
Filler, Drain	Rc1/2
Level	ϕ 40
Rough Product Weight	250kg
Rough Lubricating Oil Capacity	28 Liters
Mounting Tapped Holes	Machined at Face U, W and specified faces

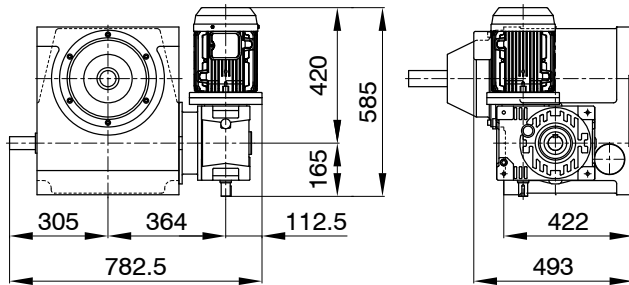
Allowable Live Load Table (N)

Lift Stroke Sh(mm)	Index Angle α (deg)	Allowable Live Load Wc (N)				Internal Load Wa (N)	Lift Stroke Sh(mm)	Index Angle α (deg)	Allowable Live Load Wc (N)				Internal Load Wa (N)				
		Rotation Sppeed of Input (rpm)							Rotation Sppeed of Input (rpm)								
		30	40	50	60				30	40	50	60					
75	60	1334.4	969.8	701.6	505.4	176.3	40	45	1376.5	1009.9	737.7	536.8	176.3				
	90	1613.5	1304.2	1052.9	847.3			60	1580.8	1253.6	991.7	781.9					
										90	1763.5	1500.5		1282.8	1096.6		
60	60	1366.4	1004.2	734.6	535.3		176.3	30	45	1490.8	1140.9	869.7		660.6	176.3		
	90	1634.4	1330.2	1081.9	877.5				60	1662.2	1358.1	1109.4		903.8			
											90	1808.0		1563.4		1362.1	1188.8
50	45	1275.2	901.3	634.3	444.3			176.3	20	45	1275.2	901.3		634.3		444.3	176.3
	60	1504.6	1161.1	892.6	683.7					60	1504.6	1161.1		892.6		683.7	
	90	1719.7	1440.8	1210.3	1015.2					90	1719.7	1440.8		1210.3		1015.2	

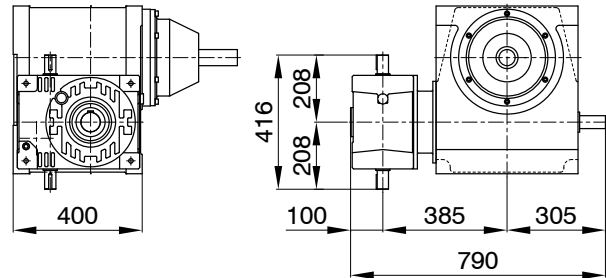
PPI/PPO-200

Mounting Examples of Optional Parts

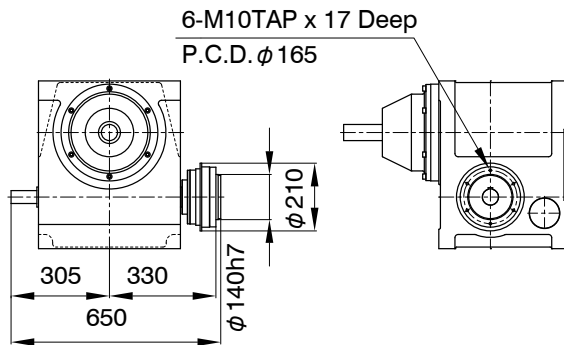
PPI/PPO-200
MRA1Y-22-100



PPI/PPO-200
RA2X-125



PPI/PPO-200
TY-325



Additional Notes

- MA series worm reducer MAO100 and 125 can be mounted.
- Mounting positions of a drive unit is standardized as 16 different pattern.
- MYTORQ torque limiter 300 series can be mounted.
- Autoflex couplings can be mounted.
- Autogard torque limiter 400 series or Autoflex couplings can be mounted on the input shafts of a worm reducer.