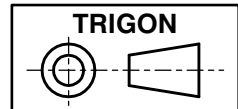
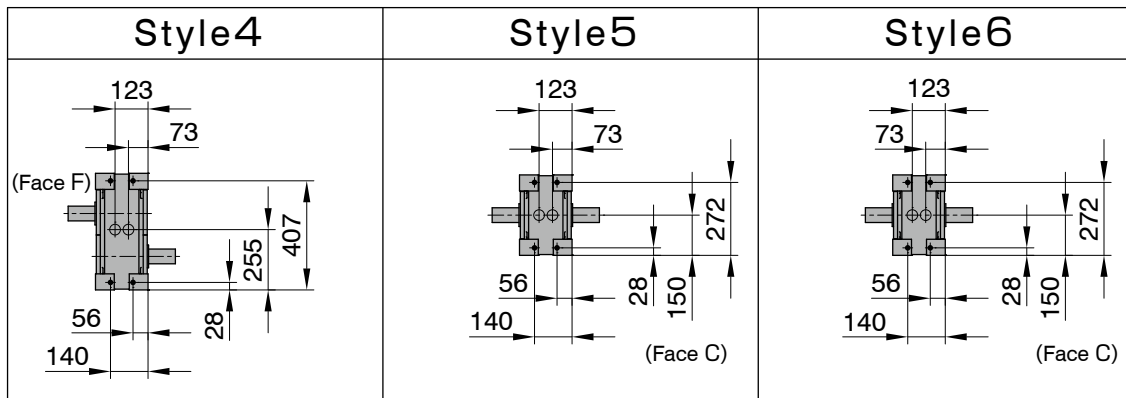
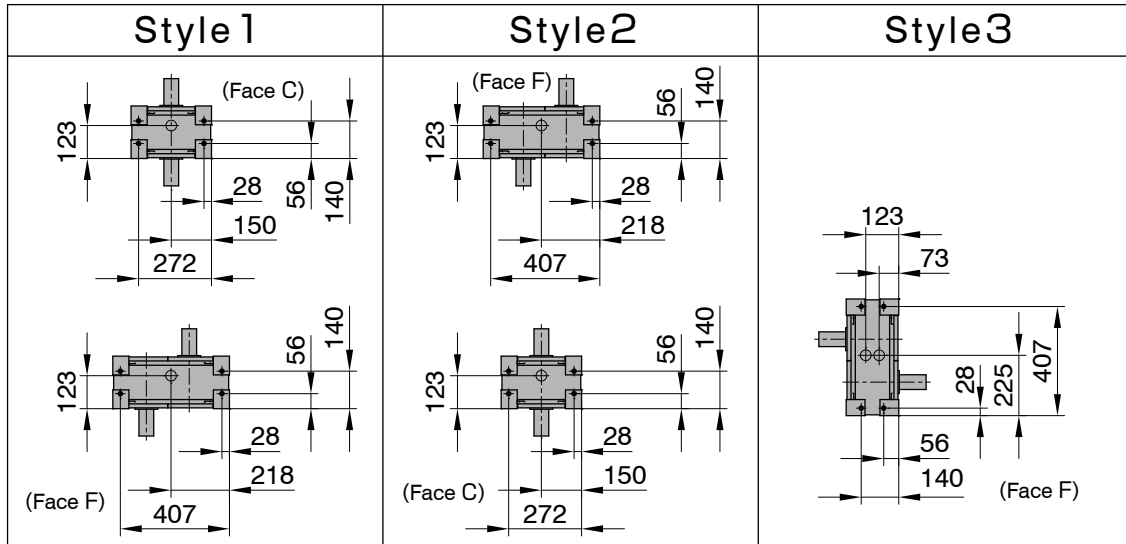


The keyway position of the input shaft in the drawing suggests the center of dwell period.



PI/PO-160S

Style by Oil Plug Machining Position



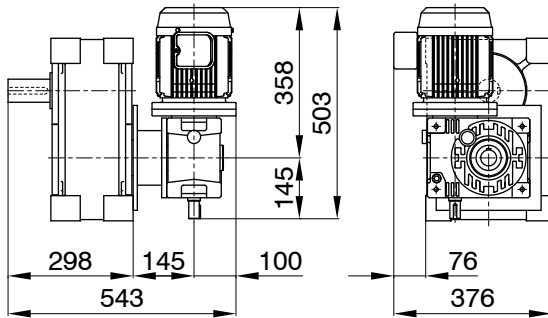
Additional Information

Filler, Drain(black circle)	Rc1/2
Level (white circle)	ϕ 40
Rough Product Weight	100kg
Rough Lubricating Oil Capacity	7.8 Liters
Mounting Tapped Holes	Machining the specified faces upon request
Mounting Through-holes	Machining the specified faces upon request

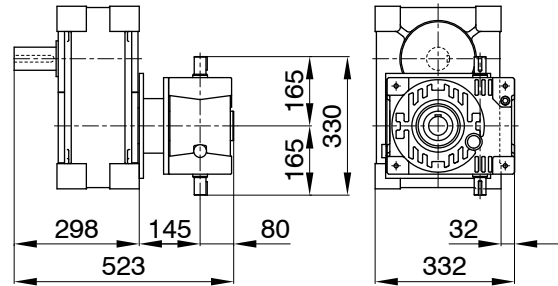
PI/PO-160S

Mounting Examples of Optional Parts

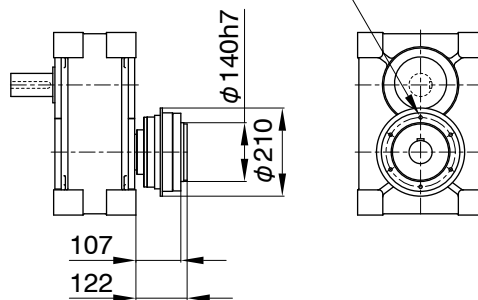
PI-160S
MRA1-15-80



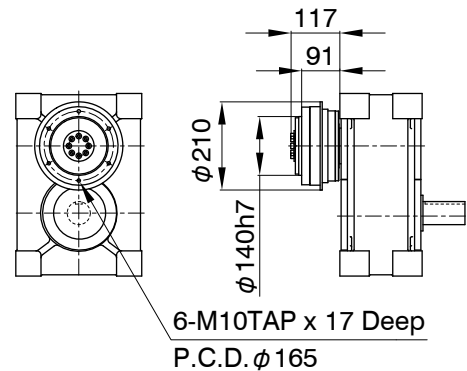
PI-160S
RA2-100



PI-160S
TB-325
6-M10TAP x 17 Deep
P.C.D. ϕ 165



PI-160S
TA-335



Additional Notes

- MA series worm reducer MAO80,100 and 125 can be mounted.
- Mounting positions of a drive unit is standardized as 8 different pattern.
- MYTORQ torque limiter 300 series can be mounted.
- Autoflex coup@lings can be mounted.
- Autogard torquelimiter 400 series or Autoflex couplings can be mounted on the input shafts of a worm reducer.