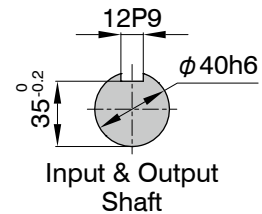
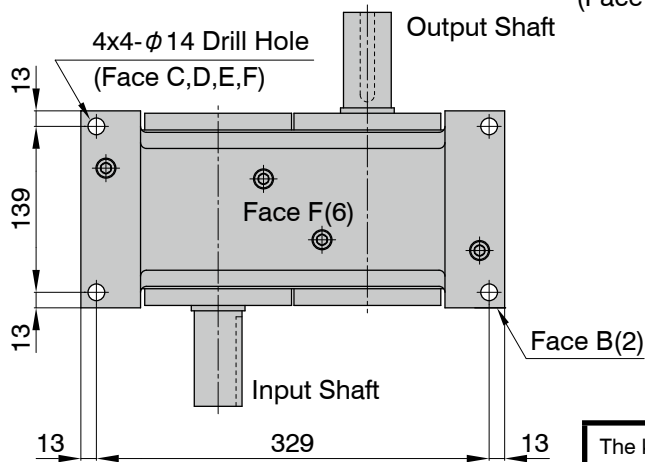
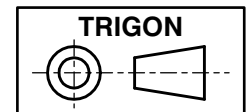
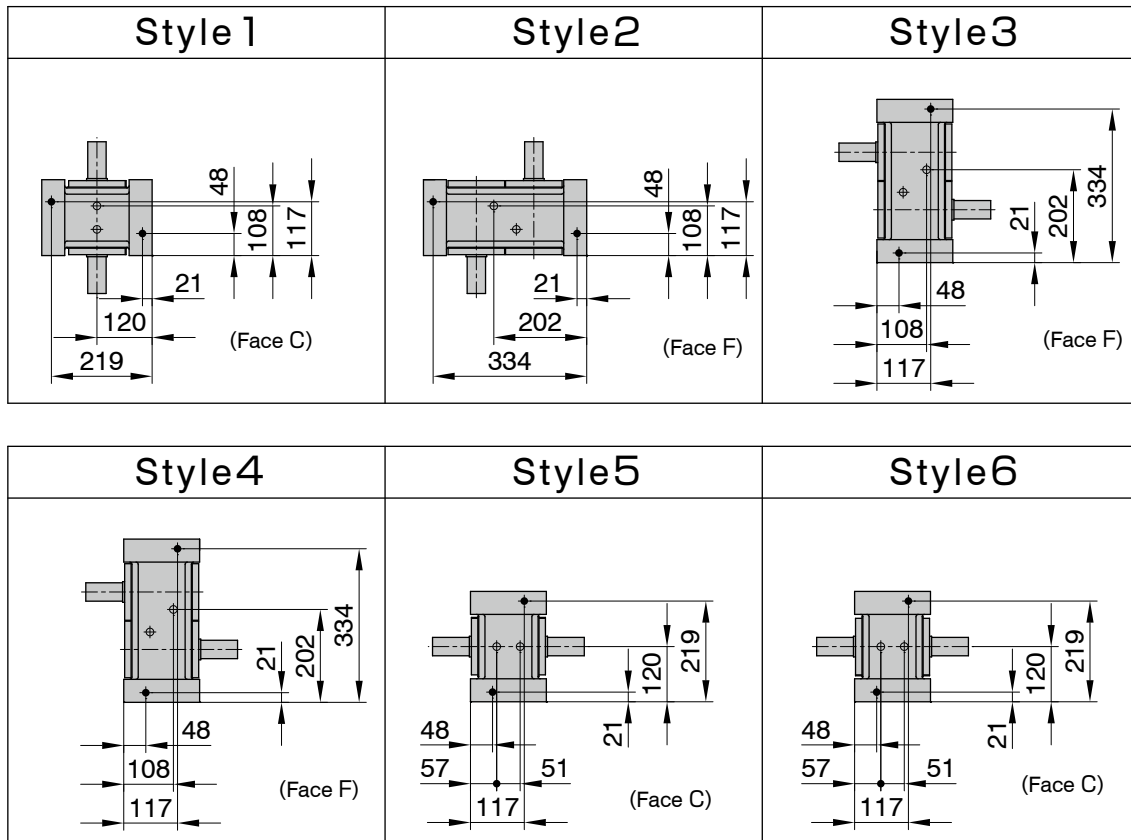


2x4-M12TAP x 24 Deep
(Face A,B)



The keyway position of the input shaft
in the drawing suggests the center of
dwell period.



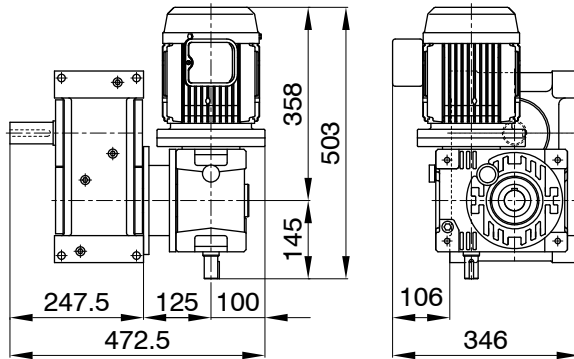


Additional Information	
Filler, Drain (black circle)	Rc3/8
Level (white circle)	Rc3/8
Rough Product Weight	53kg
Rough Lubricating Oil Capacity	3.4 Liters
Mounting Tapped Holes	Face A & B
Mounting Through-holes	Face C - F

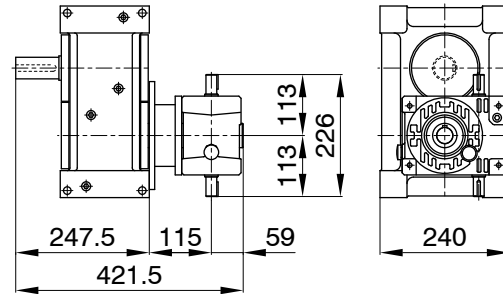
PI/PO-125S

Mounting Examples of Optional Parts

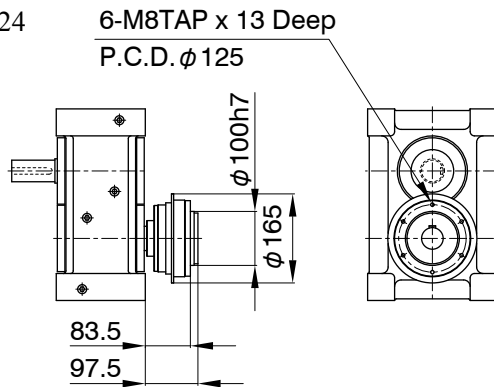
PI-125S
MRA1-15-80



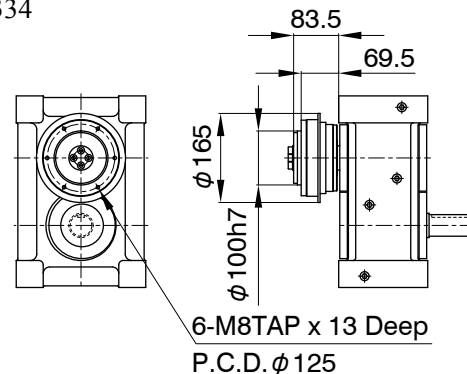
PI-125S
RA2-63



PI-125S
TB-324



PI-125S
TA-334



Additional Notes

- MA series worm reducer MAO63, 80 and 100 can be mounted.
- Mounting positions of a drive unit is standardized as 8 different pattern.
- MYTORQ torque limiter 300 series can be mounted.
- Autoflex couplings can be mounted.
- Autogard torque limiter 400 series or Autoflex couplings can be mounted on the input shafts of a worm reducer.